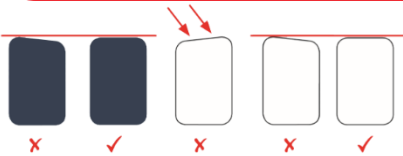


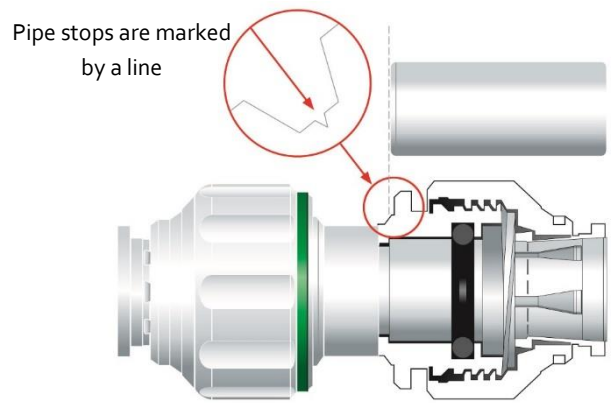
Twistloc HOW TO INSTALL

CUT

Use only purpose designed pipe cutters and cut the pipe squarely. Ensure the pipe and fitting are both free from burrs and scratches and they are kept free from dirt or debris.

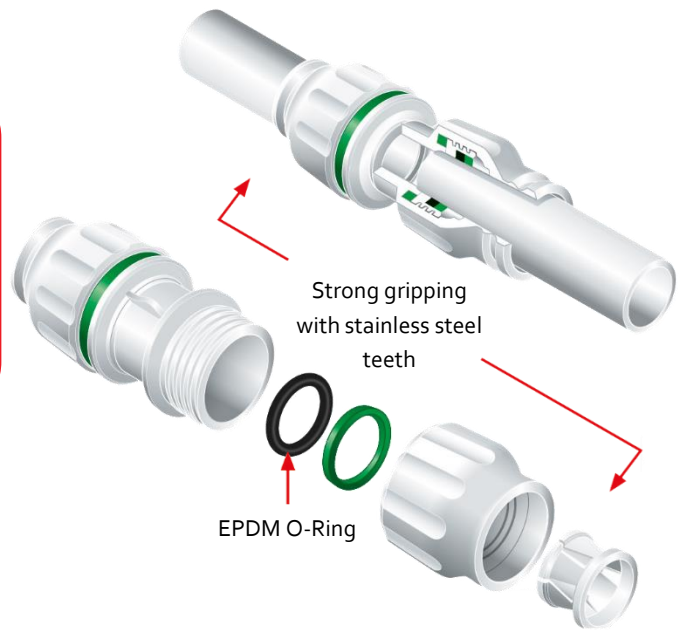
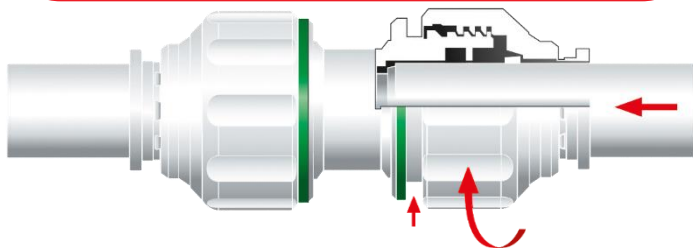


When cutting pipe, ensure that the ends are cut square and are free of burrs.



LOCK

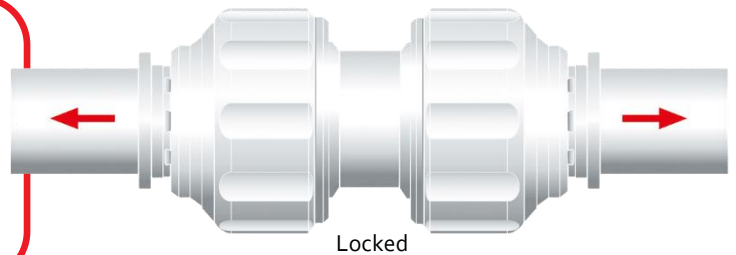
Ensure the pipe is pushed into the fitting fully past both the collet (gripper) and the O-Ring, and is engaged properly. Twist the screw cap until the green coloured ring is no longer visible; this confirms a proper, secure fit and locks the pipe into position. It also increases pressure on the O-Ring seal around



CHECK

Pull to check connection is secure. We recommend pressure testing the system before use. A pipe insert should be used to act as an internal support.

Ensure there are no scratches, gouges or any other



SEPARATE

Before attempting to disconnect any fitting, make sure that the system is de-pressurised. Unlock the fitting by twisting until the green ring is fully visible. Press collets squarely against the face of the fitting, with collets depressed, pull on the pipe to remove it

